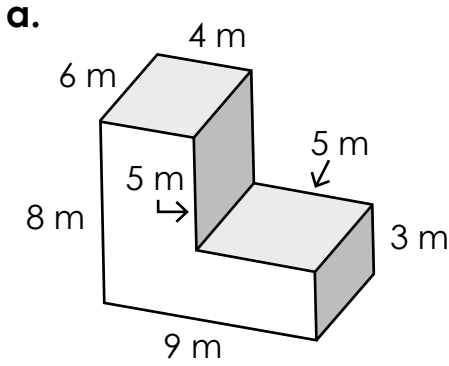


Name: \_\_\_\_\_

# Volume of Composite Figures

Find the volume of each solid figure.

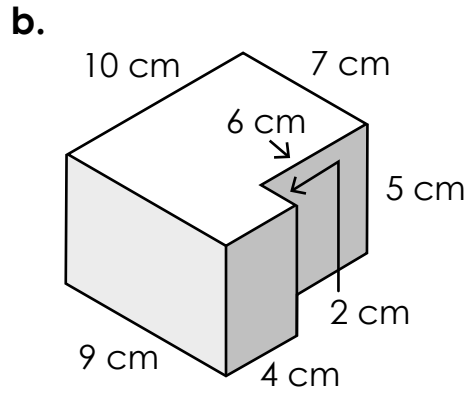


---

---

---

---

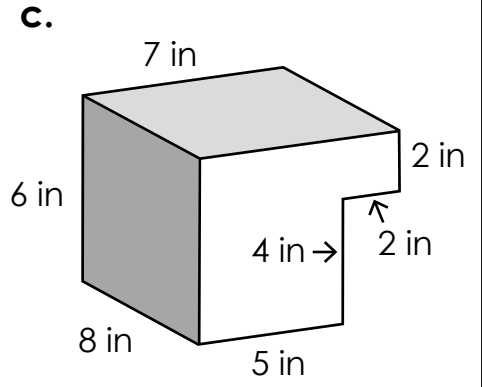


---

---

---

---

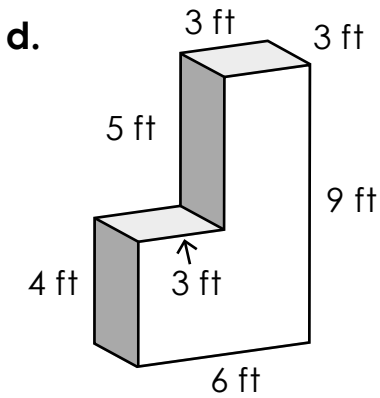


---

---

---

---

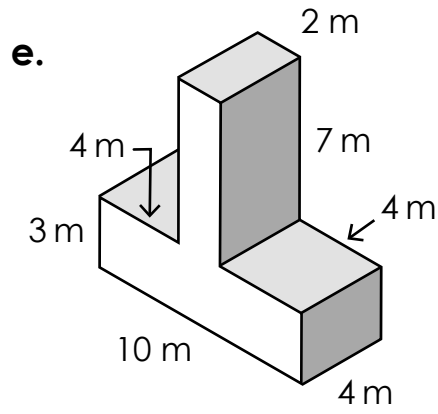


---

---

---

---

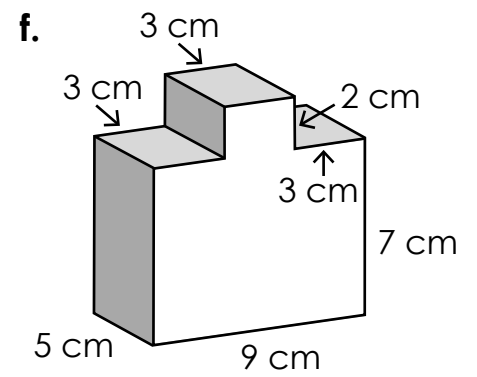


---

---

---

---



---

---

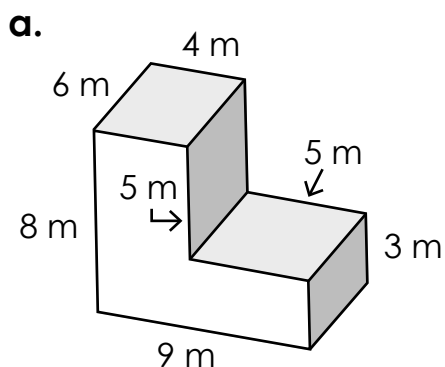
---

---

# ANSWER KEY

## Volume of Composite Figures

Find the volume of each solid figure.



$$4 \times 6 \times 8 = 192 \text{ m}^3$$

$$3 \times 5 \times 6 = 90 \text{ m}^3$$

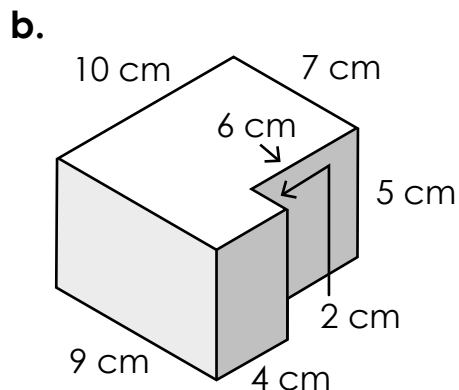
$$192 + 90 = 282 \text{ m}^3$$

or

$$4 \times 5 \times 6 = 120 \text{ m}^3$$

$$3 \times 6 \times 9 = 162 \text{ m}^3$$

$$120 + 162 = 282 \text{ m}^3$$



$$5 \times 7 \times 10 = 350 \text{ cm}^3$$

$$2 \times 4 \times 5 = 40 \text{ cm}^3$$

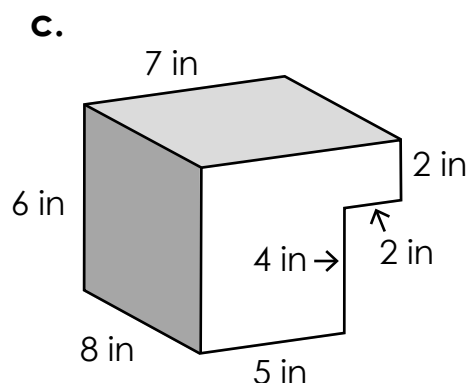
$$350 + 40 = 390 \text{ cm}^3$$

or

$$5 \times 6 \times 7 = 210 \text{ cm}^3$$

$$4 \times 5 \times 9 = 180 \text{ cm}^3$$

$$210 + 180 = 390 \text{ cm}^3$$



$$2 \times 7 \times 8 = 112 \text{ in}^3$$

$$4 \times 5 \times 8 = 160 \text{ in}^3$$

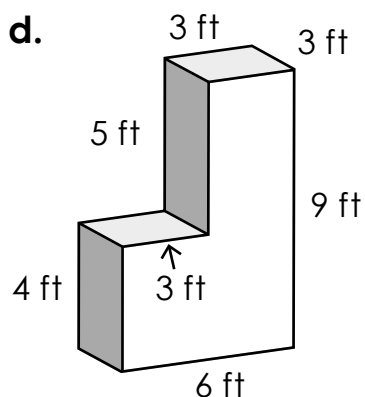
$$112 + 160 = 272 \text{ in}^3$$

or

$$5 \times 6 \times 8 = 240 \text{ in}^3$$

$$2 \times 2 \times 8 = 32 \text{ in}^3$$

$$240 + 32 = 272 \text{ in}^3$$



$$3 \times 3 \times 4 = 36 \text{ ft}^3$$

$$3 \times 3 \times 9 = 81 \text{ ft}^3$$

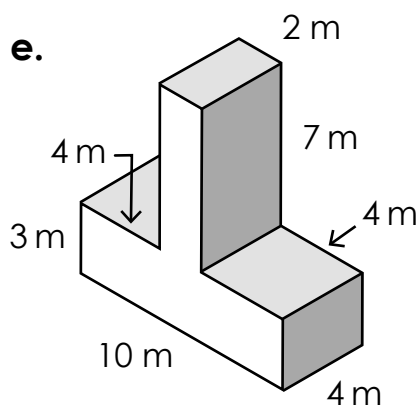
$$36 + 81 = 117 \text{ ft}^3$$

or

$$3 \times 3 \times 5 = 45 \text{ ft}^3$$

$$3 \times 4 \times 6 = 72 \text{ ft}^3$$

$$45 + 72 = 117 \text{ ft}^3$$



$$2 \times 4 \times 7 = 56 \text{ m}^3$$

$$3 \times 4 \times 10 = 120 \text{ m}^3$$

$$56 + 120 = 176 \text{ m}^3$$

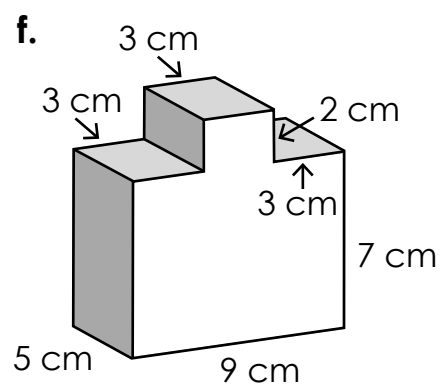
or

$$2 \times 4 \times 10 = 80 \text{ m}^3$$

$$3 \times 4 \times 4 = 48 \text{ m}^3$$

$$3 \times 4 \times 4 = 48 \text{ m}^3$$

$$80 + 48 + 48 = 176 \text{ m}^3$$



$$2 \times 3 \times 5 = 30 \text{ cm}^3$$

$$5 \times 7 \times 9 = 315 \text{ cm}^3$$

$$30 + 315 = 345 \text{ cm}^3$$

or

$$3 \times 5 \times 7 = 105 \text{ cm}^3$$

$$3 \times 5 \times 9 = 135 \text{ cm}^3$$

$$3 \times 5 \times 7 = 105 \text{ cm}^3$$

$$105 + 135 + 105 = 345 \text{ cm}^3$$