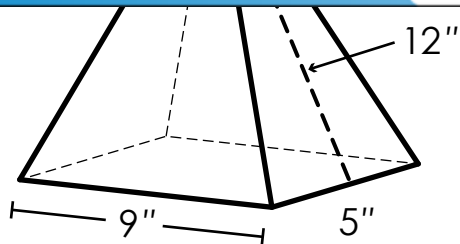
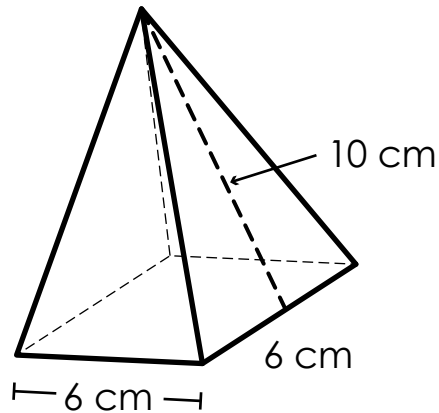


Name: \_\_\_\_\_

## Surface Area of Pyramids

Find the surface area. Show your work and label your answer.

a.

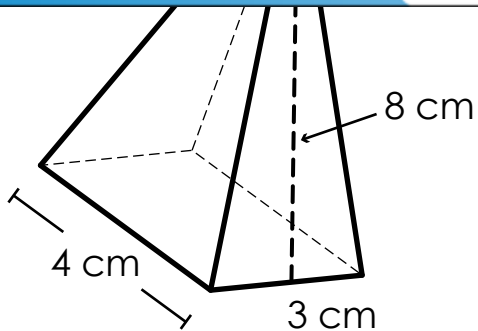
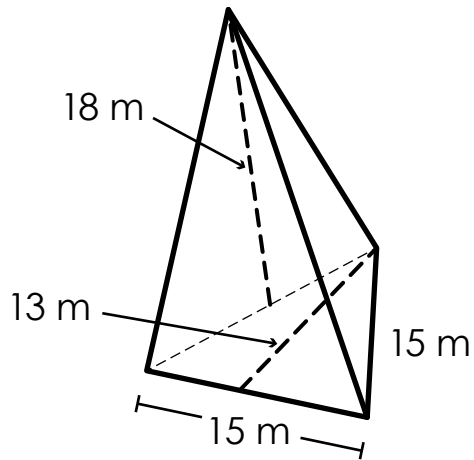


Name: \_\_\_\_\_

## Surface Area of Pyramids

Find the surface area. Show your work and label your answer.

c.

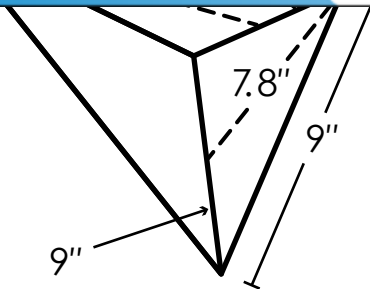
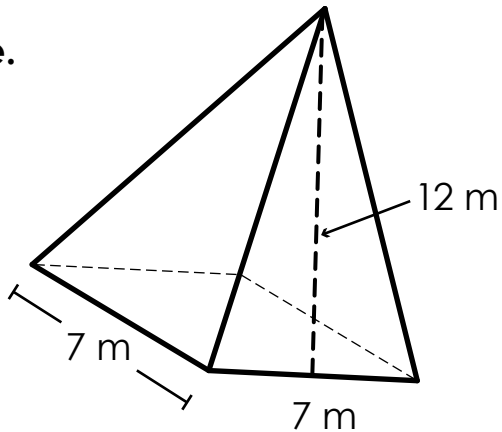


Name: \_\_\_\_\_

## Surface Area of Pyramids

Find the surface area. Show your work and label your answer.

e.



# ANSWER KEY

## Surface Area of Pyramids



# Preview

Please log in to download the printable version of this worksheet.



$$A = l \times w$$

$$A = 7 \times 7$$

$$A = 49$$

$$A = \frac{1}{2} \times b \times h$$

$$A = \frac{1}{2} \times 7 \times 12$$

$$A = 42$$

$$\begin{array}{r} \times 4 \\ \hline 168 \end{array}$$

$$49 + 168 = 217 \text{ m}^2$$

$$A = \frac{1}{2} \times b \times h$$

$$A = \frac{1}{2} \times 9 \times 7.8$$

$$A = 35.1$$

$$A = \frac{1}{2} \times b \times h$$

$$A = \frac{1}{2} \times 9 \times 10$$

$$A = 45$$

$$\begin{array}{r} \times 3 \\ \hline 135 \end{array}$$

$$35.1 + 135 = 170.1 \text{ in}^2$$