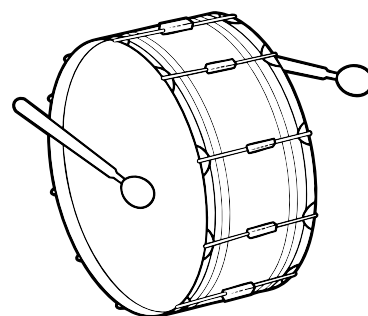
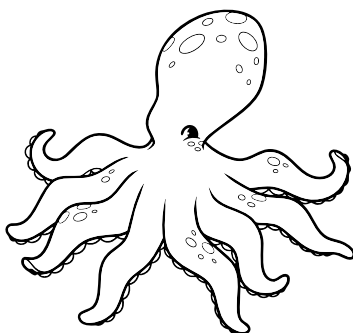
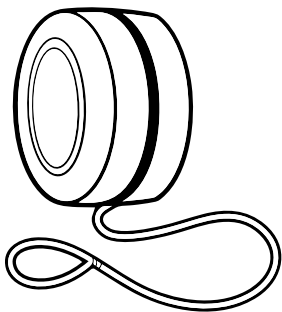


Name: _____

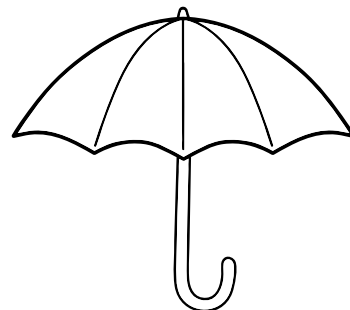
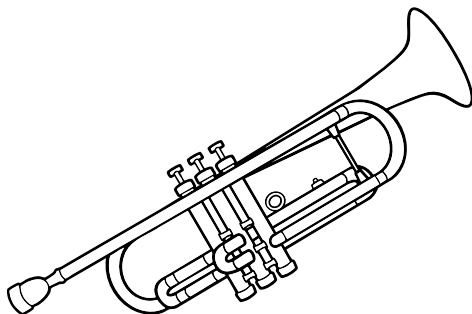
Sign Language Picture Match

Circle the letter sign that represents the starting letter of each picture.



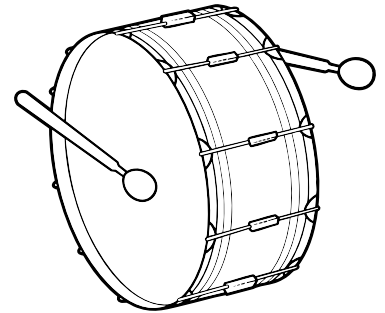
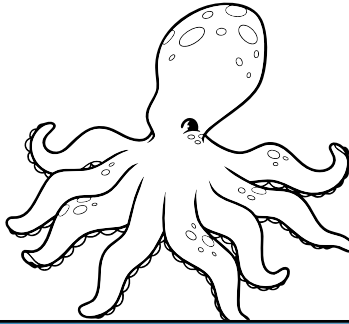
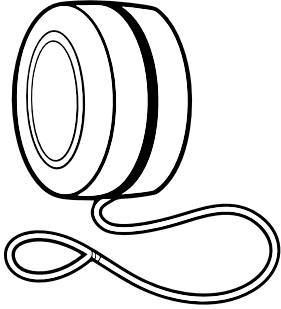
Preview

Please log in to download the printable version of this worksheet.



Sign Language Picture Match

Circle the letter sign that represents the starting letter of each picture.



Preview

Please log in to download
the printable version of this worksheet.

