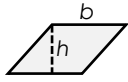


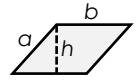
Name: _____

Area and Perimeter of a Parallelogram

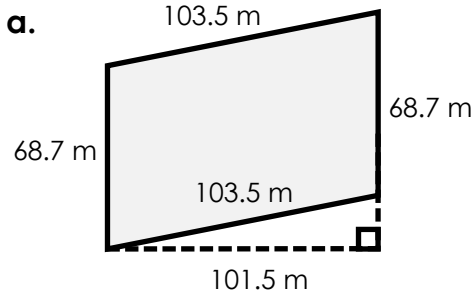
Area formula: $A = b \times h$



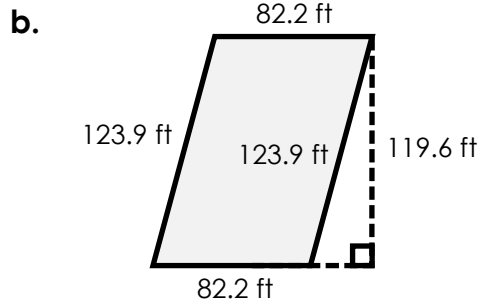
Perimeter formula: $P = 2 \times (b+a)$



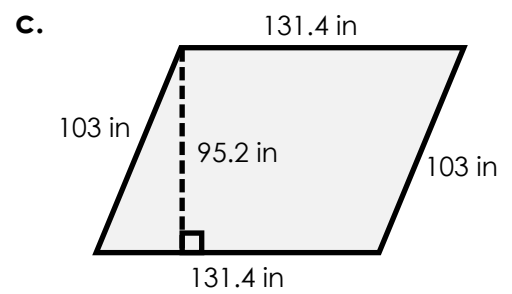
Find the area and perimeter of each parallelogram.



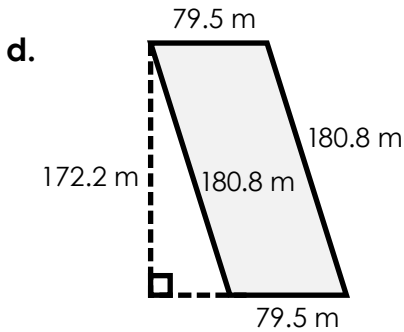
area = _____
perimeter = _____



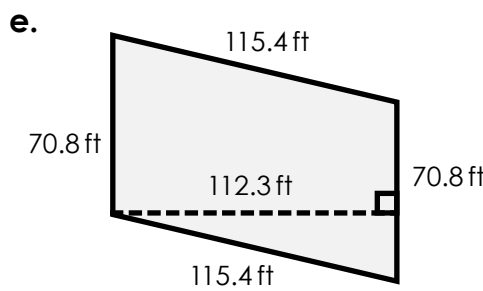
area = _____
perimeter = _____



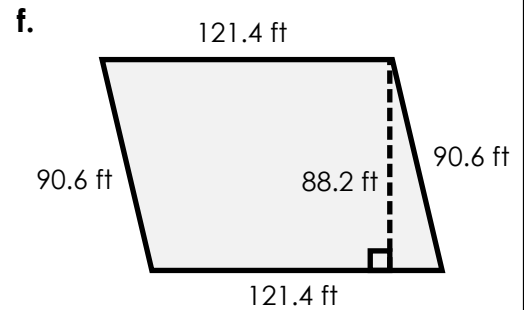
area = _____
perimeter = _____



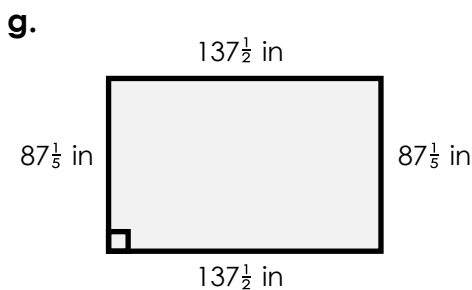
area = _____
perimeter = _____



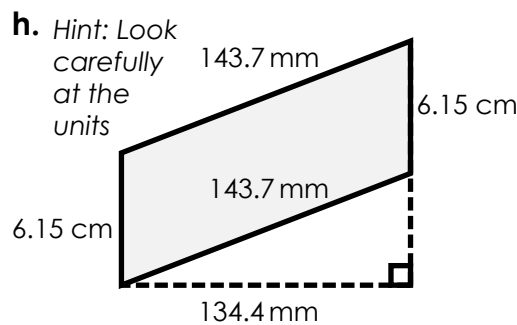
area = _____
perimeter = _____



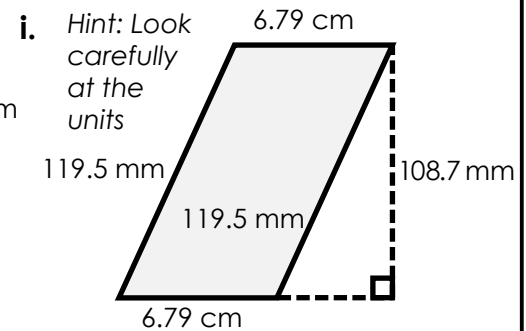
area = _____
perimeter = _____



area = _____
perimeter = _____



area = _____
perimeter = _____

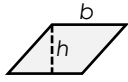


area = _____
perimeter = _____

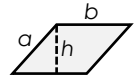
ANSWER KEY

Area and Perimeter of a Parallelogram

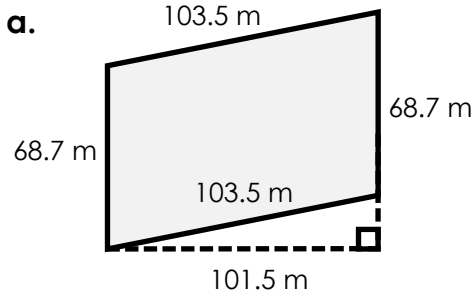
Area formula: $A = b \times h$



Perimeter formula: $P = 2 \times (b+a)$

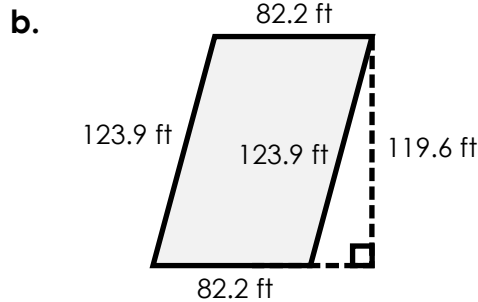


Find the area and perimeter of each parallelogram.



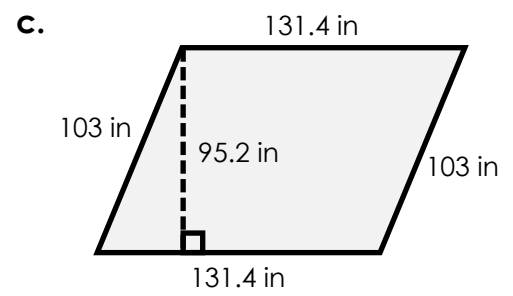
area = **6,973.05 m²**

perimeter = **344.4 m**



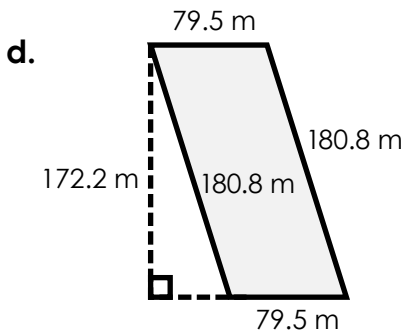
area = **9,831.12 ft²**

perimeter = **412.2 ft**



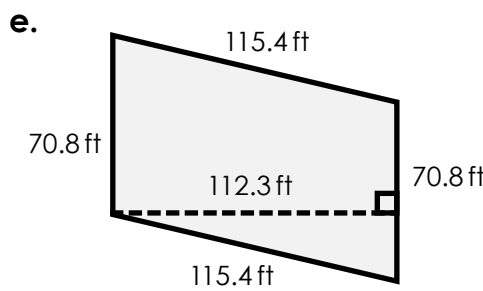
area = **12,509.28 in²**

perimeter = **468.8 in**



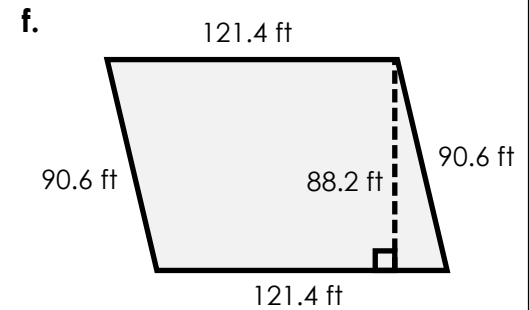
area = **13,689.9 m²**

perimeter = **520.6 m**



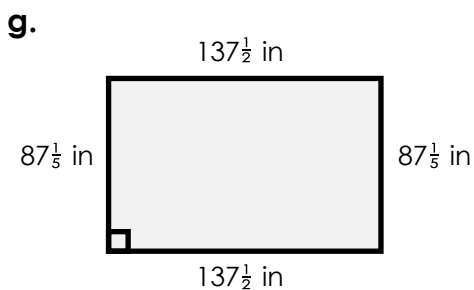
area = **7,950.84 ft²**

perimeter = **372.4 ft**



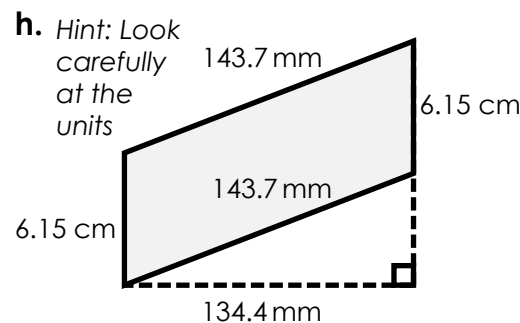
area = **10,707.48 ft²**

perimeter = **424 ft**



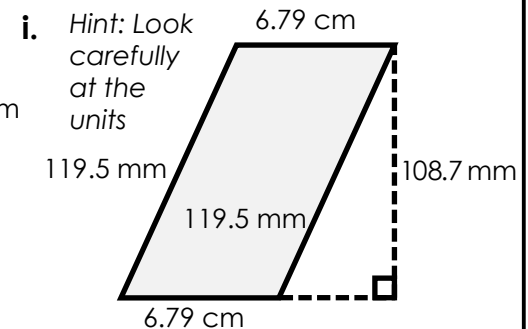
area = **11,990 in²**

perimeter = **449 2/5 in or 449.4 in**



area = **8,265.6 mm² or 82.656 cm²**

perimeter = **410.4 mm or 41.04 cm**



area = **7,380.73 mm² or 73.8073 cm²**

perimeter = **374.8 mm or 37.48 cm**