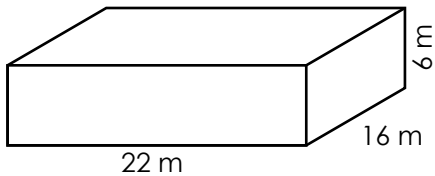


Name: _____

Surface Area

Find the surface area of the following figures.



surface area = _____

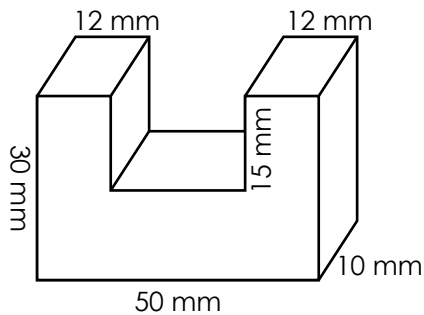
Work Space



~ PREVIEW ~

Please log in or register to download the printable version of this worksheet.

surface area = _____

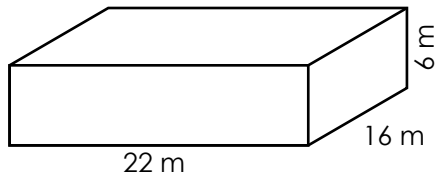


surface area = _____

ANSWER KEY

Surface Area

Find the surface area of the following figures.



Work Space

$$\begin{array}{r} 22 \text{ m} \times 6 \text{ m} = 132 \text{ m}^2 \\ 22 \text{ m} \times 6 \text{ m} = 132 \text{ m}^2 \\ 6 \text{ m} \times 16 \text{ m} = 96 \text{ m}^2 \\ 6 \text{ m} \times 16 \text{ m} = 96 \text{ m}^2 \\ 16 \text{ m} \times 22 \text{ m} = 352 \text{ m}^2 \\ 16 \text{ m} \times 22 \text{ m} = + 352 \text{ m}^2 \\ \hline 1,160 \text{ m}^2 \end{array}$$



~ PREVIEW ~

Please log in or register to download
the printable version of this worksheet.

surface area = 1,160 m²