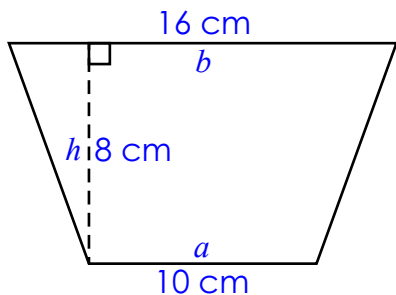


Name: _____

Area of a Trapezoid



$$A = \frac{1}{2}h(a + b)$$

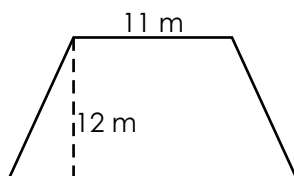
$$A = \frac{1}{2} \times 8 \text{ cm} (10 \text{ cm} + 16 \text{ cm})$$

$$A = \frac{1}{2} \times 8 \text{ cm} (26 \text{ cm})$$

$$A = 4 \text{ cm} (26 \text{ cm})$$

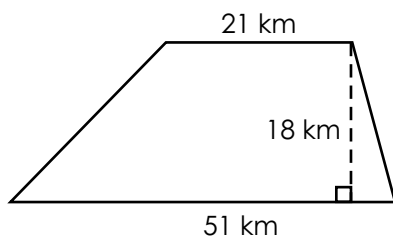
$$A = 104 \text{ cm}^2$$

Find the areas of the trapezoids.

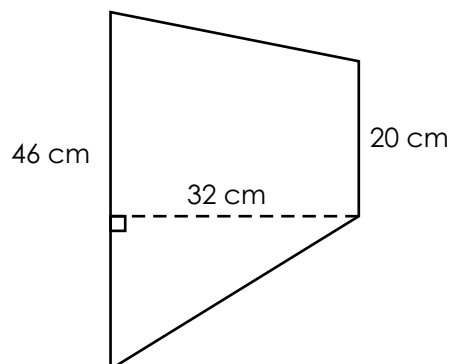


Preview

Please log in to download
the printable version of this worksheet.



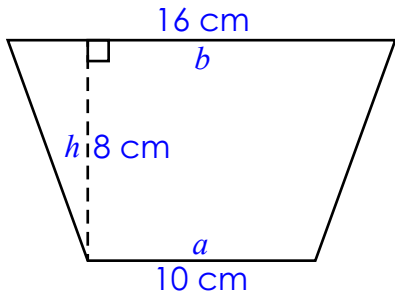
A = _____



A = _____

ANSWER KEY

Area of a Trapezoid



$$A = \frac{1}{2}h(a + b)$$

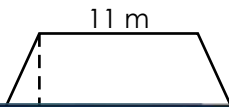
$$A = \frac{1}{2} \times 8 \text{ cm} (10 \text{ cm} + 16 \text{ cm})$$

$$A = \frac{1}{2} \times 8 \text{ cm} (26 \text{ cm})$$

$$A = 4 \text{ cm} (26 \text{ cm})$$

$$A = 104 \text{ cm}^2$$

Find the areas of the trapezoids.



Preview

Please log in to download
the printable version of this worksheet.

