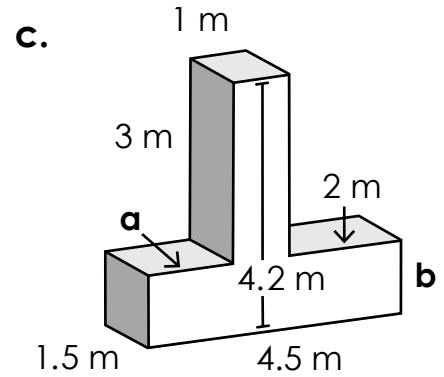
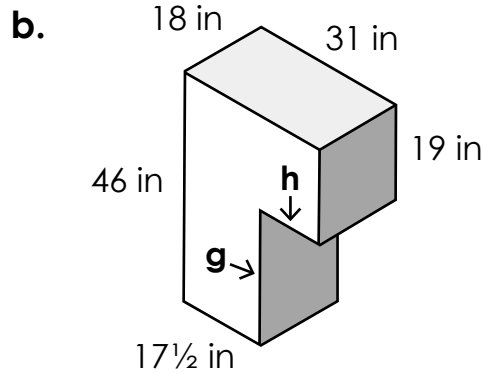
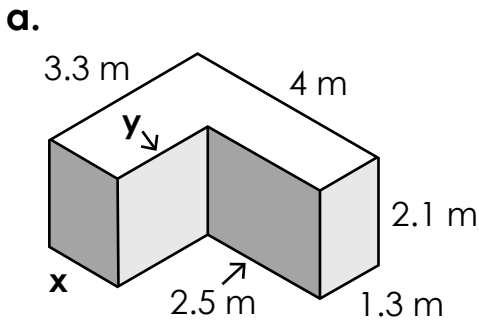


Name: _____

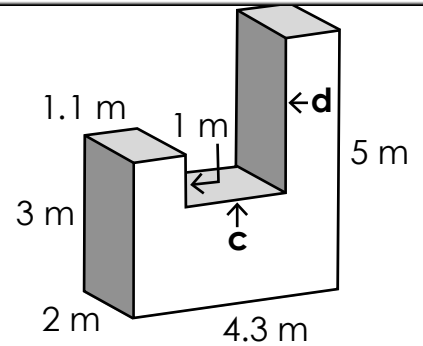
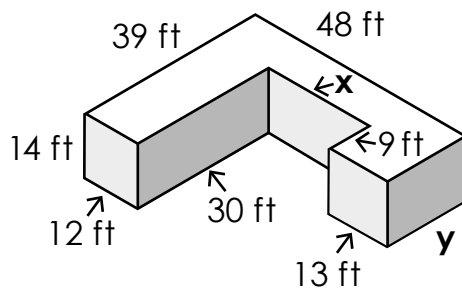
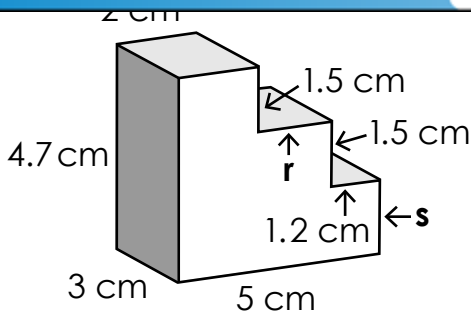
Volume of Composite Figures

Find the missing lengths and volume of each solid figure.



Preview

Please log in to download the printable version of this worksheet.



r = _____ **s =** _____

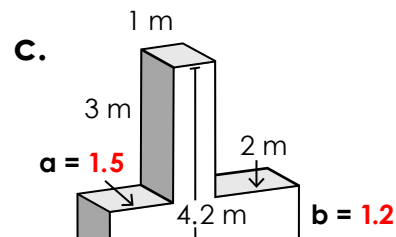
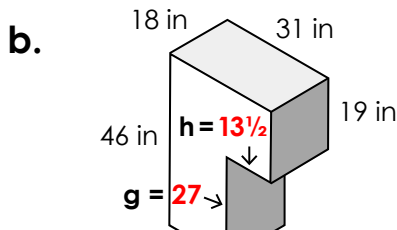
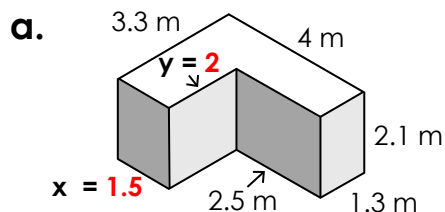
x = _____ **y =** _____

c = _____ **d =** _____

ANSWER KEY

Volume of Composite Figures

Find the missing lengths and volume of each solid figure.



1.5
1.3
10.3

1.5
1.3
6.3

d.
4.7



Preview

Please log in to download the printable version of this worksheet.

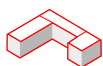


m³
m³
m³
m³
3 m
m³
m³
m³
m³
26 m³

$$\begin{aligned} 2 \times 3 \times 3 &= 18 \text{ cm}^3 \\ 1.5 \times 1.8 \times 3 &= 8.1 \text{ cm}^3 \\ 1.7 \times 3 \times 5 &= 25.5 \text{ cm}^3 \\ 18 + 8.1 + 25.5 &= 51.6 \text{ cm}^3 \end{aligned}$$

or

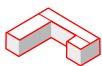
$$\begin{aligned} 2 \times 3 \times 4.7 &= 28.2 \text{ cm}^3 \\ 1.5 \times 1.8 \times 3 &= 8.1 \text{ cm}^3 \\ 1.7 \times 3 \times 3 &= 15.3 \text{ cm}^3 \\ 28.2 + 8.1 + 15.3 &= 51.6 \text{ cm}^3 \end{aligned}$$



$$\begin{aligned} 12 \times 14 \times 30 &= 5,040 \text{ ft}^3 \\ 9 \times 14 \times 35 &= 4,410 \text{ ft}^3 \\ 13 \times 14 \times 18 &= 3,276 \text{ ft}^3 \\ 5,040 + 4,410 + 3,276 &= 12,726 \text{ ft}^3 \end{aligned}$$

or

$$\begin{aligned} 9 \times 14 \times 48 &= 5,040 \text{ ft}^3 \\ 9 \times 14 \times 48 &= 6,048 \text{ ft}^3 \\ 9 \times 14 \times 13 &= 1,638 \text{ ft}^3 \\ 5,040 + 6,048 + 1,638 &= 12,726 \text{ ft}^3 \end{aligned}$$



$$\begin{aligned} 1 \times 1.1 \times 2 &= 2.2 \text{ m}^3 \\ 2 \times 2 \times 3.2 &= 12.8 \text{ cm}^3 \\ 1.1 \times 2 \times 5 &= 11 \text{ m}^3 \\ 2.2 + 12.8 + 11 &= 26 \text{ m}^3 \end{aligned}$$

or

$$\begin{aligned} 1 \times 1.1 \times 2 &= 2.2 \text{ m}^3 \\ 2 \times 2 \times 4.3 &= 17.2 \text{ m}^3 \\ 1.1 \times 2 \times 3 &= 6.6 \text{ m}^3 \\ 2.2 + 17.2 + 6.6 &= 26 \text{ m}^3 \end{aligned}$$

