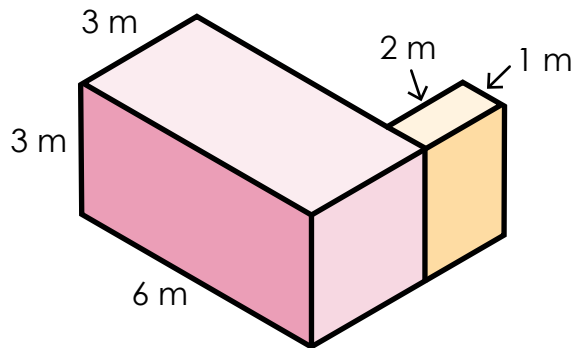


1.

Volume of Composite Figures

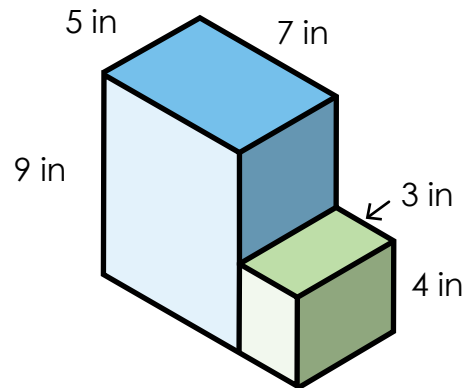
Find the volume of each rectangular prism. Then add to find the volume of the entire figure.



2.

Volume of Composite Figures

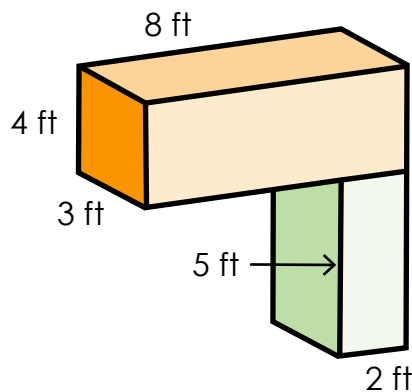
Find the volume of each rectangular prism. Then add to find the volume of the entire figure.



Preview

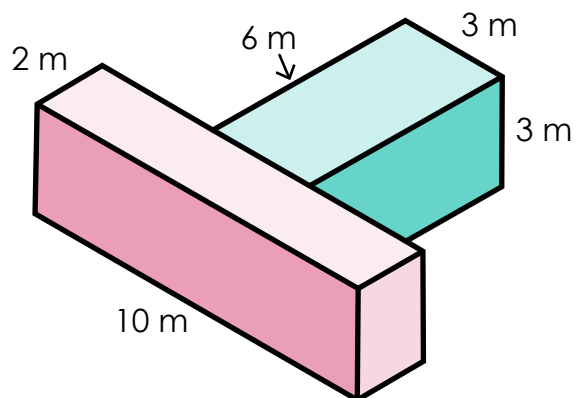
Please log in to download the printable version of this worksheet.

Find the volume of each rectangular prism. Then add to find the volume of the entire figure.



Remember to include the units in your answer.

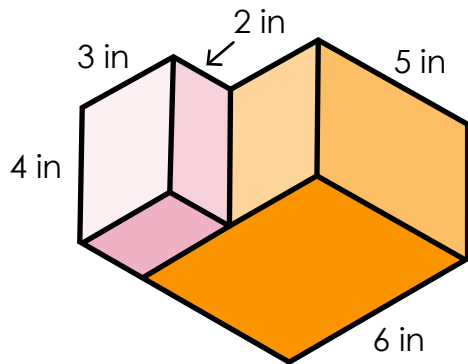
Find the volume of each rectangular prism. Then add to find the volume of the entire figure.



Remember to include the units in your answer.

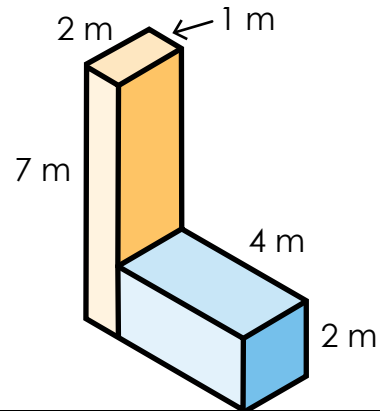
5. Volume of Composite Figures

Find the volume of each rectangular prism. Then add to find the volume of the entire figure.



6. Volume of Composite Figures

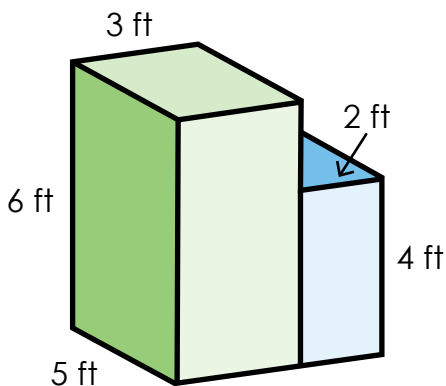
Find the volume of each rectangular prism. Then add to find the volume of the entire figure.



Preview

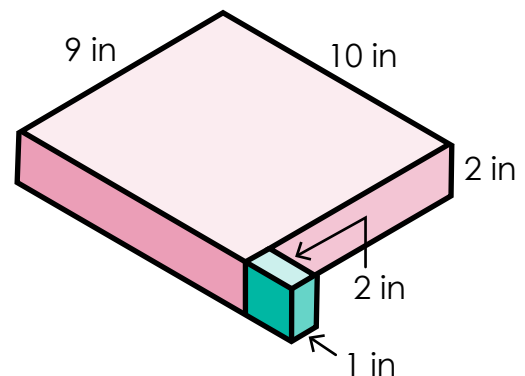
Please log in to download the printable version of this worksheet.

Find the volume of each rectangular prism. Then add to find the volume of the entire figure.



Remember to include the units in your answer.

Find the volume of each rectangular prism. Then add to find the volume of the entire figure.

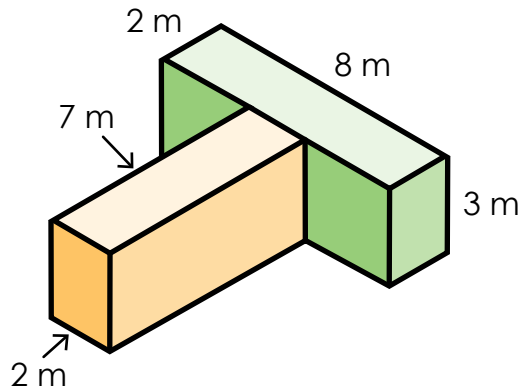


Remember to include the units in your answer.

9.

Volume of Composite Figures

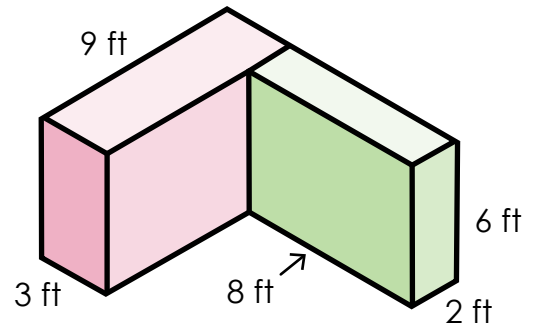
Find the volume of each rectangular prism. Then add to find the volume of the entire figure.



10.

Volume of Composite Figures

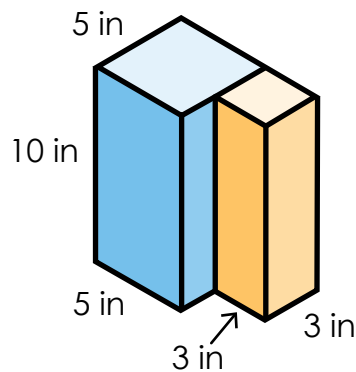
Find the volume of each rectangular prism. Then add to find the volume of the entire figure.



Preview

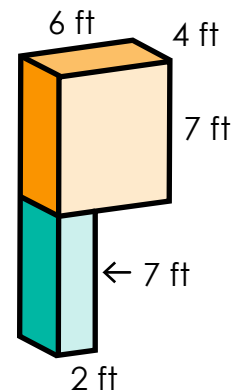
Please log in to download the printable version of this worksheet.

Find the volume of each rectangular prism. Then add to find the volume of the entire figure.



Remember to include the units in your answer.

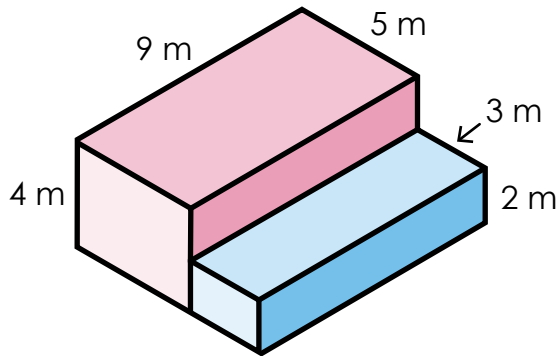
Find the volume of each rectangular prism. Then add to find the volume of the entire figure.



Remember to include the units in your answer.

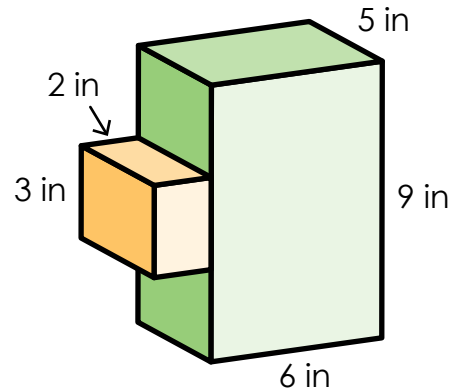
13. Volume of Composite Figures

Find the volume of each rectangular prism. Then add to find the volume of the entire figure.



14. Volume of Composite Figures

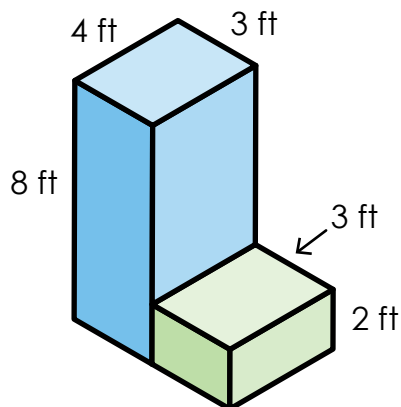
Find the volume of each rectangular prism. Then add to find the volume of the entire figure.



Preview

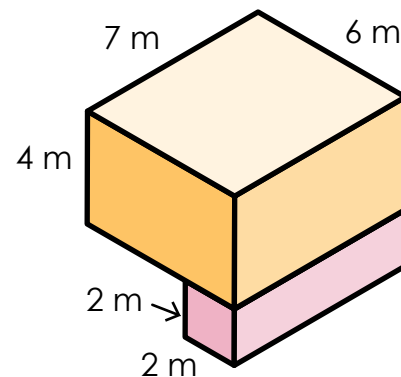
Please log in to download the printable version of this worksheet.

Find the volume of each rectangular prism. Then add to find the volume of the entire figure.



Remember to include the units in your answer.

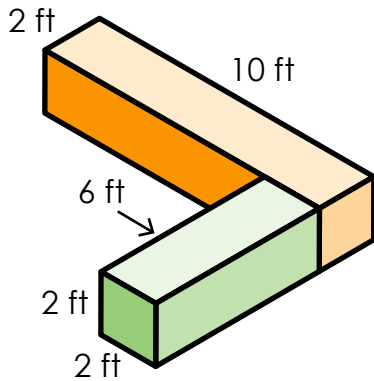
Find the volume of each rectangular prism. Then add to find the volume of the entire figure.



Remember to include the units in your answer.

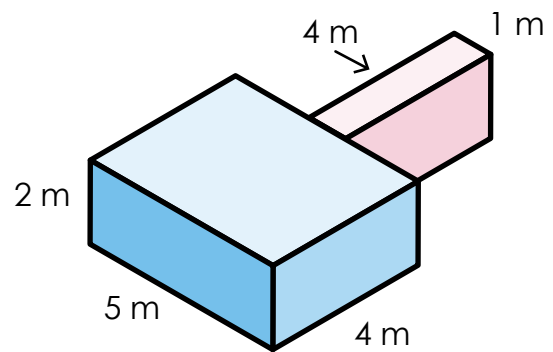
17. Volume of Composite Figures

Find the volume of each rectangular prism. Then add to find the volume of the entire figure.



18. Volume of Composite Figures

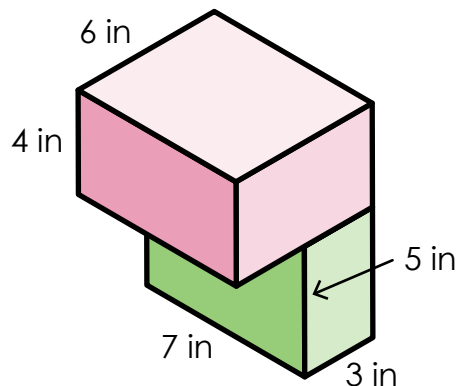
Find the volume of each rectangular prism. Then add to find the volume of the entire figure.



Preview

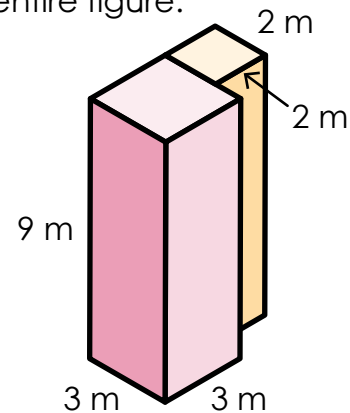
Please log in to download the printable version of this worksheet.

Find the volume of each rectangular prism. Then add to find the volume of the entire figure.



Remember to include the units in your answer.

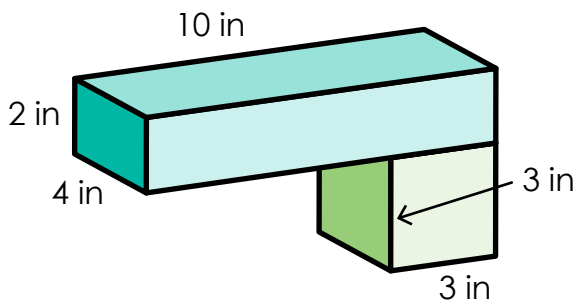
Find the volume of each rectangular prism. Then add to find the volume of the entire figure.



Remember to include the units in your answer.

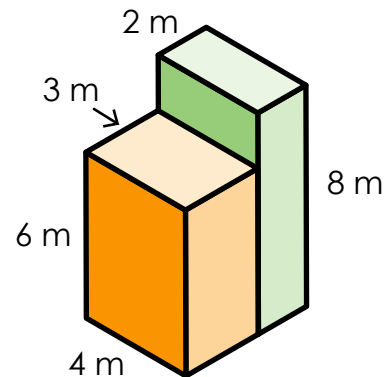
21. Volume of Composite Figures

Find the volume of each rectangular prism. Then add to find the volume of the entire figure.



22. Volume of Composite Figures

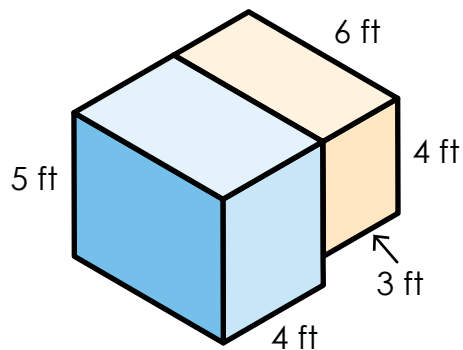
Find the volume of each rectangular prism. Then add to find the volume of the entire figure.



Preview

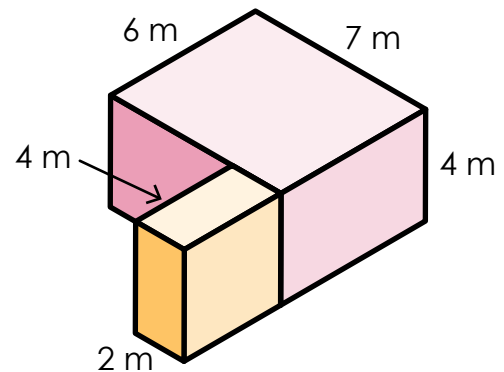
Please log in to download the printable version of this worksheet.

Find the volume of each rectangular prism. Then add to find the volume of the entire figure.



Remember to include the units in your answer.

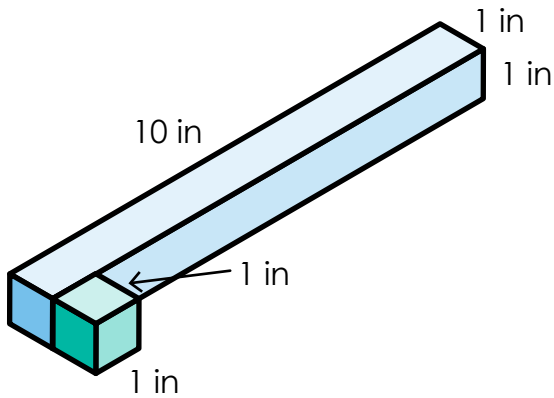
Find the volume of each rectangular prism. Then add to find the volume of the entire figure.



Remember to include the units in your answer.

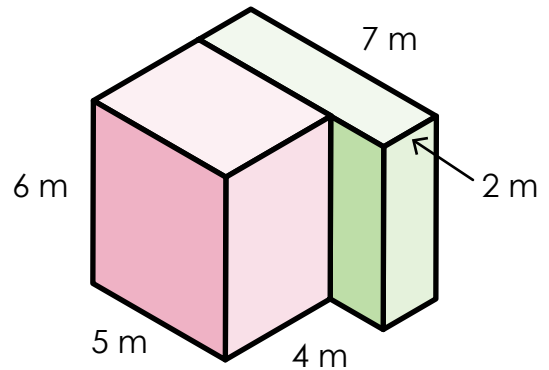
25. Volume of Composite Figures

Find the volume of each rectangular prism. Then add to find the volume of the entire figure.



26. Volume of Composite Figures

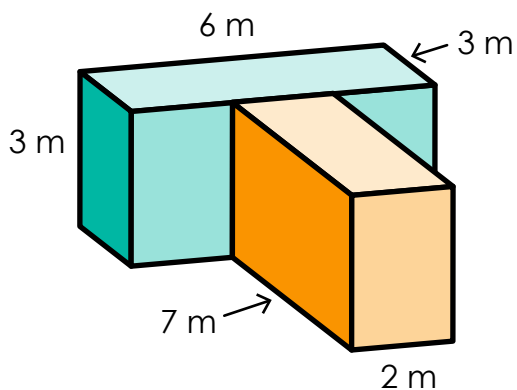
Find the volume of each rectangular prism. Then add to find the volume of the entire figure.



Preview

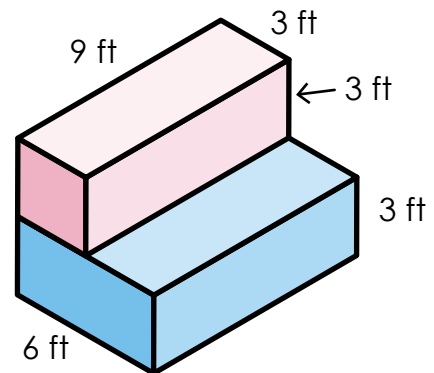
Please log in to download the printable version of this worksheet.

Find the volume of each rectangular prism. Then add to find the volume of the entire figure.



Remember to include the units in your answer.

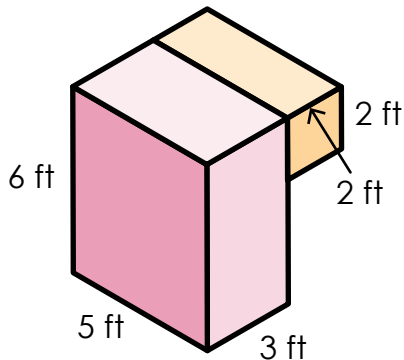
Find the volume of each rectangular prism. Then add to find the volume of the entire figure.



Remember to include the units in your answer.

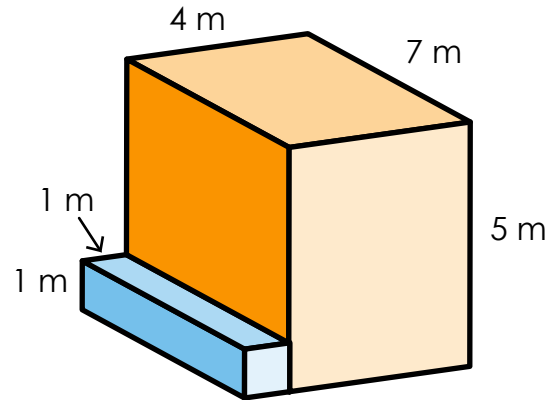
29. Volume of Composite Figures

Find the volume of each rectangular prism. Then add to find the volume of the entire figure.



30. Volume of Composite Figures

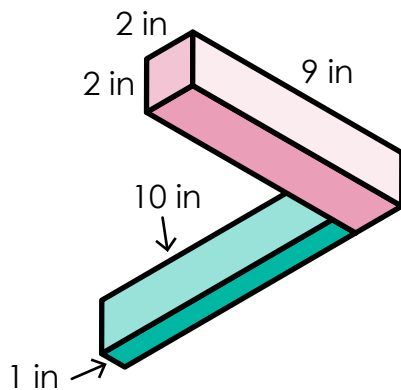
Find the volume of each rectangular prism. Then add to find the volume of the entire figure.



Preview

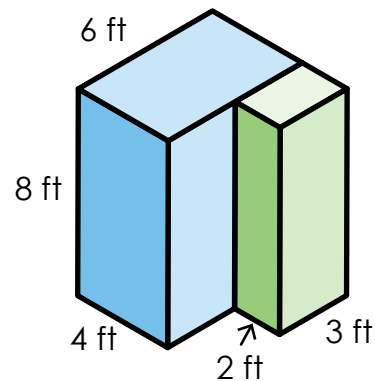
Please log in to download the printable version of this worksheet.

Find the volume of each rectangular prism. Then add to find the volume of the entire figure.



Remember to include the units in your answer.

Find the volume of each rectangular prism. Then add to find the volume of the entire figure.



Remember to include the units in your answer.

Name: _____

Task Cards: Volume of Composite Figures

1.

2.

3.

4.

Preview

Please log in to download
the printable version of this worksheet.



Task Cards: Volume of Composite Figures

17.

18.

19.

20.

Preview

Please log in to download
the printable version of this worksheet.



ANSWER KEY

Task Cards: Volume of Composite Figures

1.

$$3 \times 3 \times 6 = 54 \text{ m}^3$$

$$1 \times 2 \times 3 = 6 \text{ m}^3$$

2.

$$5 \times 7 \times 9 = 315 \text{ in}^3$$

$$3 \times 4 \times 5 = 60 \text{ in}^3$$

3.

$$3 \times 4 \times 8 = 96 \text{ ft}^3$$

$$2 \times 3 \times 5 = 30 \text{ ft}^3$$

4.

$$2 \times 3 \times 10 = 60 \text{ m}^3$$

$$3 \times 3 \times 6 = 54 \text{ m}^3$$

Preview

Please log in to download
the printable version of this worksheet.



$$180 + 54 = 234 \text{ m}^3$$

$$30 + 270 = 300 \text{ in}^3$$

$$96 + 24 = 120 \text{ ft}^3$$

$$168 + 28 = 196 \text{ m}^3$$

ANSWER KEY

Task Cards: Volume of Composite Figures

17.

$$2 \times 2 \times 10 = 40 \text{ ft}^3$$

$$2 \times 2 \times 6 = 24 \text{ ft}^3$$

18.

$$2 \times 4 \times 5 = 40 \text{ m}^3$$

$$1 \times 2 \times 4 = 8 \text{ m}^3$$

19.

$$4 \times 6 \times 7 = 168 \text{ in}^3$$

$$3 \times 5 \times 7 = 105 \text{ in}^3$$

20.

$$3 \times 3 \times 9 = 81 \text{ m}^3$$

$$2 \times 2 \times 9 = 36 \text{ m}^3$$

Preview

Please log in to download
the printable version of this worksheet.



$$90 + 20 = 110 \text{ ft}^3$$

$$7 + 140 = 147 \text{ m}^3$$

$$36 + 20 = 56 \text{ in}^3$$

$$192 + 48 = 240 \text{ ft}^3$$