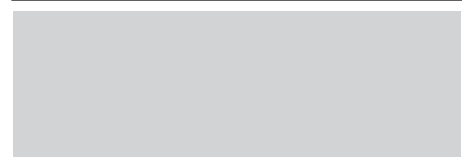
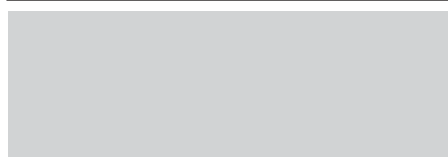
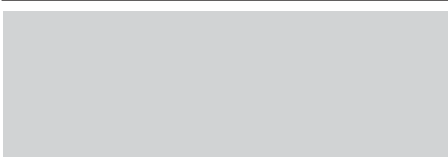
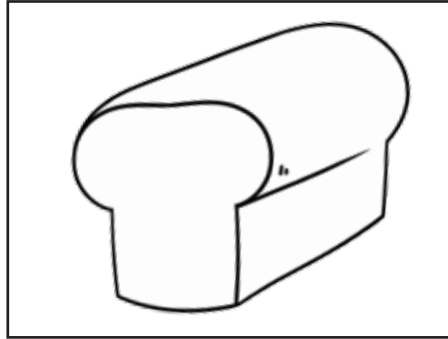


Name: _____

Br- Words

Cut out the words. Then glue them to the correct picture.



Preview
Please log in to download
the printable version of this worksheet.



brush

branch

brain

bread

broken

braid