

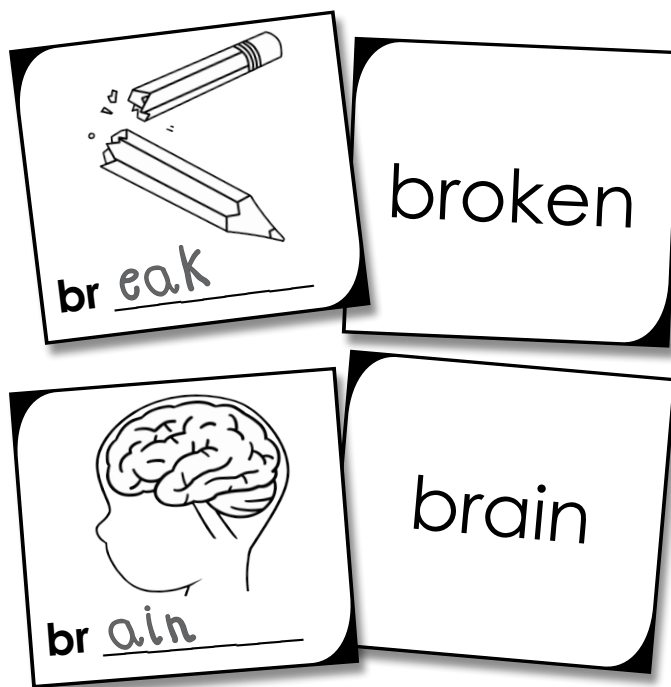
Phonics: Br- Blends Card Game

These cards can be used many different ways.

Here are a few ideas:

1. Memory Match Game

Flip the cards upside-down on a table. Students take turns flipping pairs of cards. If students flip two cards that go together (ex: picture of a broom and the word *broom*.), then they get to keep both cards. The player with the most matches wins.



2. Make a Poster

Cut apart the cards and lay them on the table. Students match the picture and word cards together. Color the picture. Then glue the picture with the word onto a large sheet of construction paper.

3. Notebook Flip

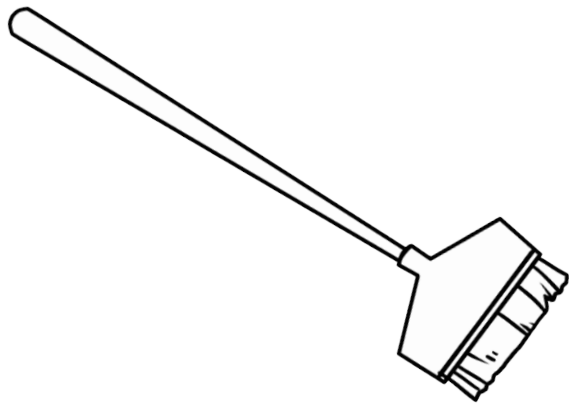
Students can make a flip-up reading activity in their reading/writing notebooks. Students glue the word card to a page in their notebooks. Then glue or tape the picture card over the top so that it can be flipped up to reveal the word below.

4. Dry Erase Writing

Laminate the picture cards. Students can use dry erase markers to complete the words on the cards.

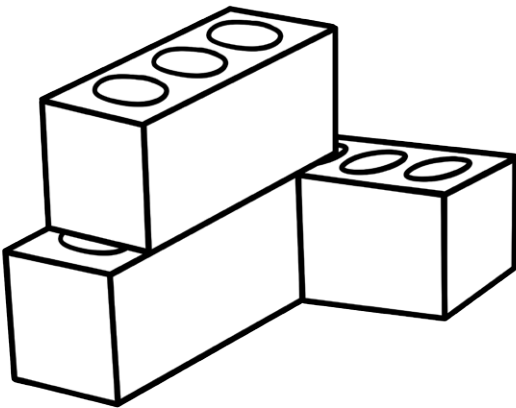
5. Alphabetical Order

Cut apart the word cards. Have students place them in a line, in alphabetical order.



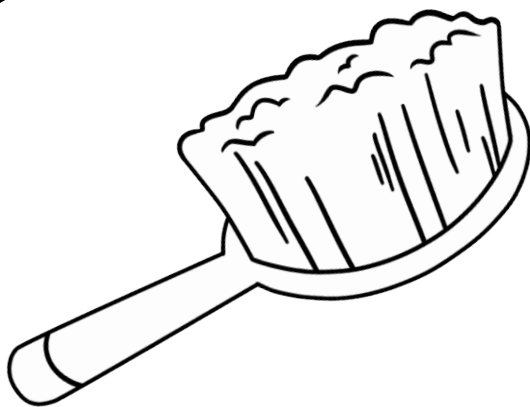
br _____

broom



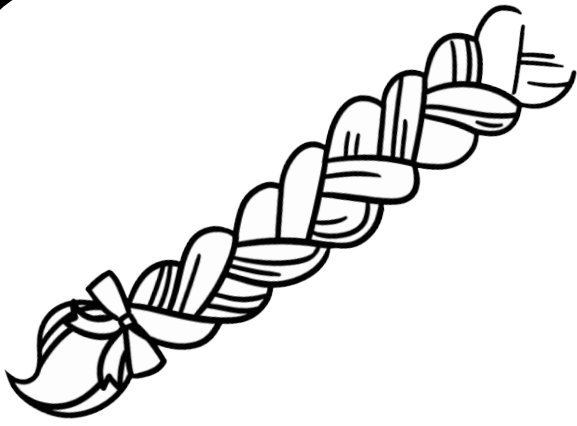
br _____

bricks



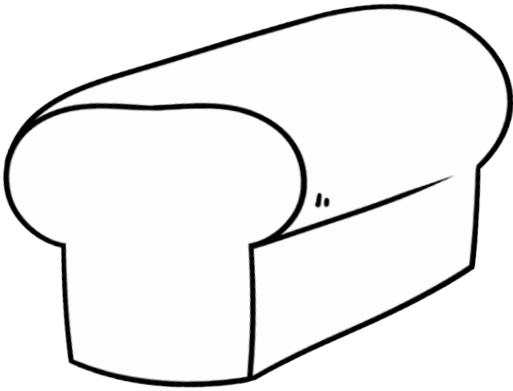
br _____

brush



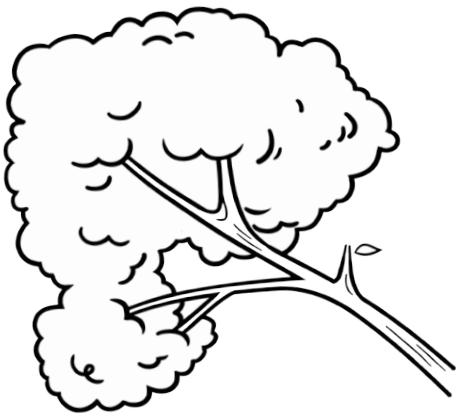
br _____

braid



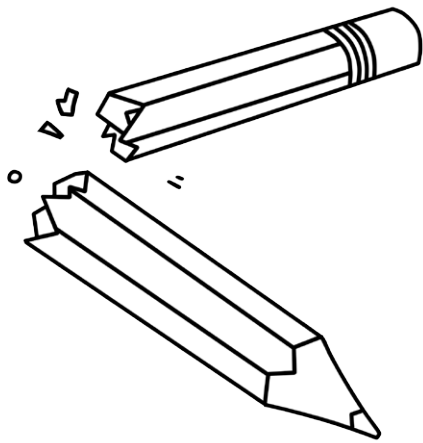
br _____

bread



br _____

branch



br _____

broken



br _____

brain

br _____