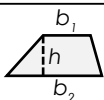


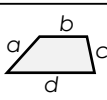
Name: \_\_\_\_\_

# Area and Perimeter of a Trapezoid

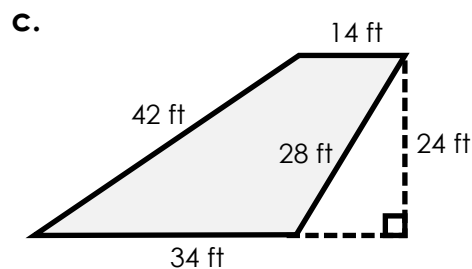
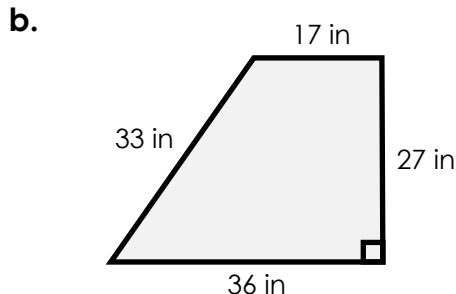
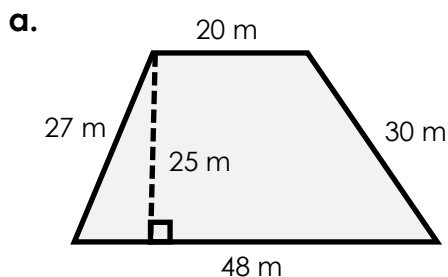
**Area formula:**  $A = \frac{1}{2} \times (b_1 + b_2) \times h$



**Perimeter formula:**  $P = a + b + c + d$

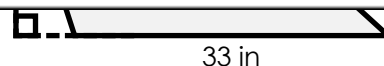
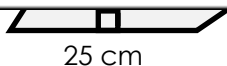
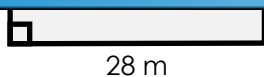


Find the area and perimeter of each trapezoid.



# Preview

Please log in to download the printable version of this worksheet.



area = \_\_\_\_\_

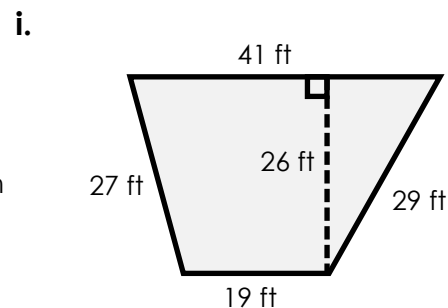
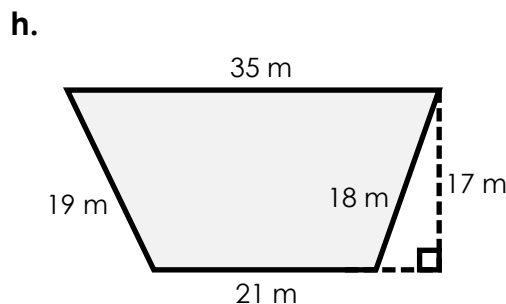
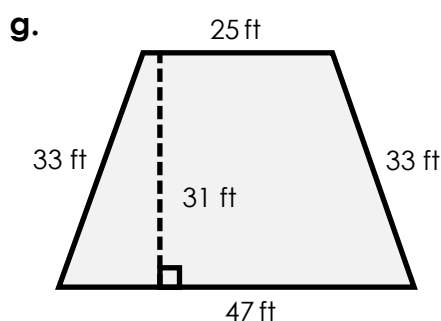
area = \_\_\_\_\_

area = \_\_\_\_\_

perimeter = \_\_\_\_\_

perimeter = \_\_\_\_\_

perimeter = \_\_\_\_\_



area = \_\_\_\_\_

area = \_\_\_\_\_

area = \_\_\_\_\_

perimeter = \_\_\_\_\_

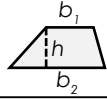
perimeter = \_\_\_\_\_

perimeter = \_\_\_\_\_

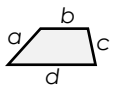
# ANSWER KEY

## Area and Perimeter of a Trapezoid

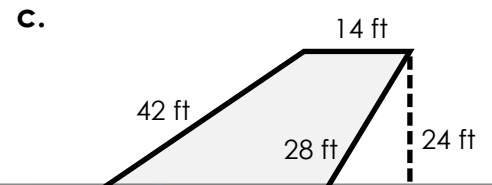
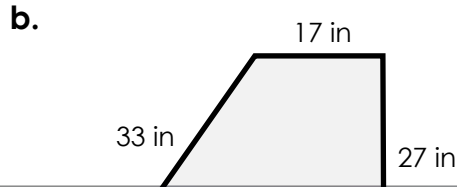
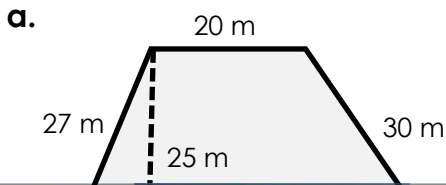
**Area formula:**  $A = \frac{1}{2} \times (b_1 + b_2) \times h$



**Perimeter formula:**  $P = a + b + c + d$



Find the area and perimeter of each trapezoid.



# Preview

Please log in to download  
the printable version of this worksheet.



perimeter = \_\_\_\_\_ perimeter = \_\_\_\_\_ perimeter = \_\_\_\_\_