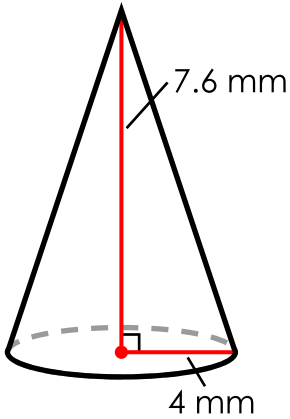


Name: _____

Volume of a Cone



$$\begin{aligned}V &= \frac{1}{3} \pi r^2 h \\ &\approx \frac{1}{3} \cdot 3.14 \cdot 4^2 \cdot 7.6 \\ &\approx \frac{1}{3} \cdot 3.14 \cdot 16 \cdot 7.6 \\ &\approx 127.27466\end{aligned}$$

The volume of the cone is approximately 127.27 mm³.

Find the volume of each cone. Use 3.14 for π .
Round your answers to the nearest hundredth.

1. 2 cm

2.

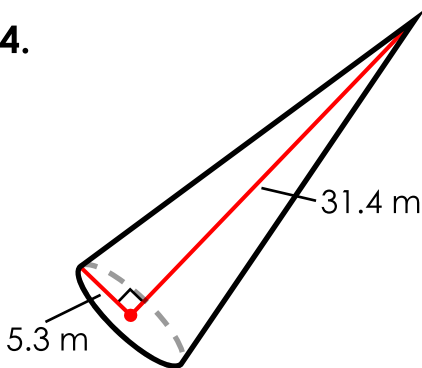
3.



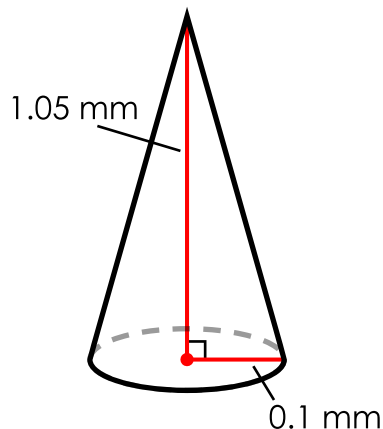
Preview

Please log in to download
the printable version of this worksheet.

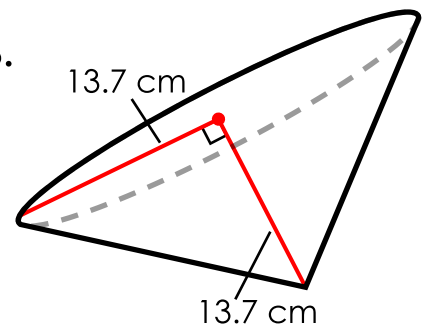
4.



5.

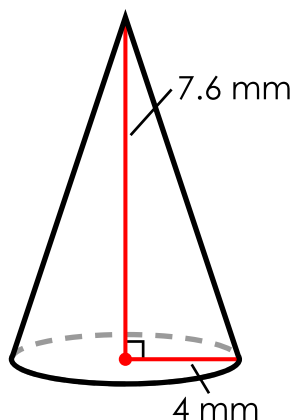


6.



ANSWER KEY

Volume of a Cone



$$\begin{aligned}V &= \frac{1}{3} \pi r^2 h \\&\approx \frac{1}{3} \cdot 3.14 \cdot 4^2 \cdot 7.6 \\&\approx \frac{1}{3} \cdot 3.14 \cdot 16 \cdot 7.6 \\&\approx 127.27466\end{aligned}$$

The volume of the cone is approximately 127.27 mm³.

Find the volume of each cone. Use 3.14 for π .
Round your answers to the nearest hundredth.

1 2 cm

2

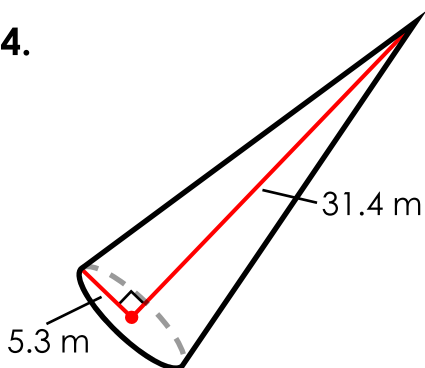
3



Preview

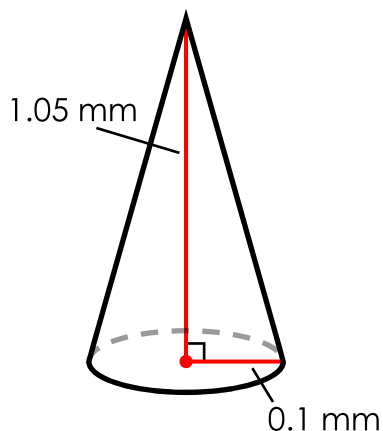
Please log in to download
the printable version of this worksheet.

4.



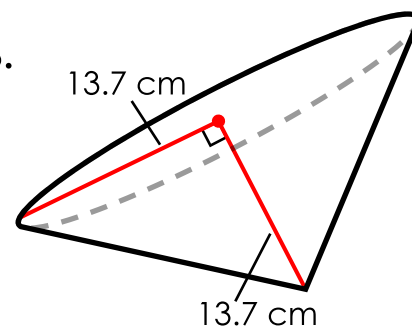
923.19 m³

5.



0.01 mm³

6.



2,691.35 cm³