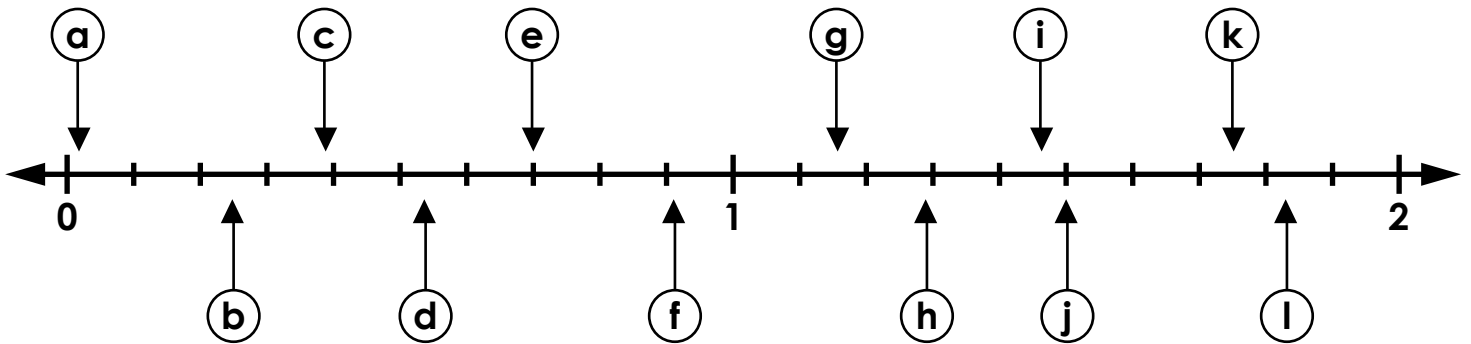


Name: \_\_\_\_\_

## Decimal Number Line

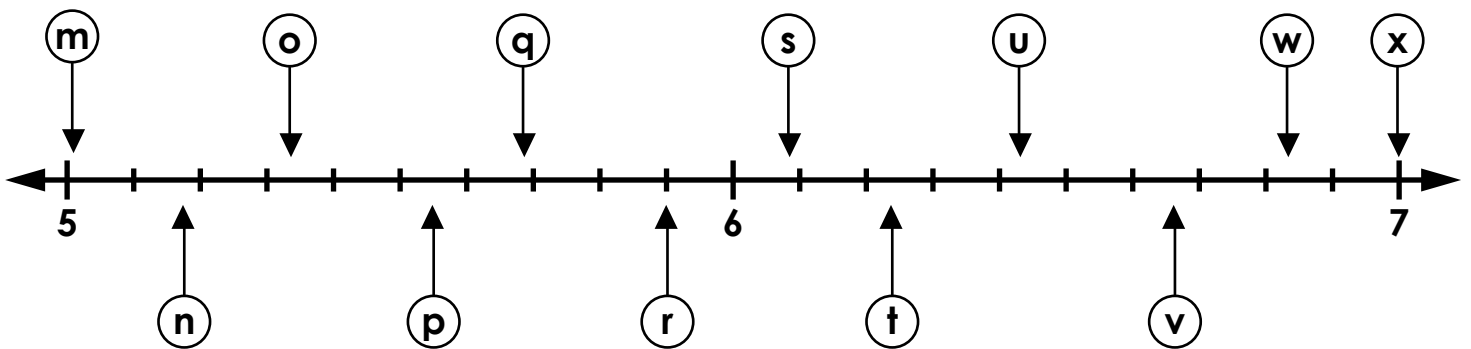
Write the correct letter on the blank line next to each decimal.



0.38   **c**        1.16 \_\_\_\_\_      1.75 \_\_\_\_\_      0.54 \_\_\_\_\_

0.70 \_\_\_\_\_      1.47 \_\_\_\_\_      0.02 \_\_\_\_\_      1.50 \_\_\_\_\_

1.29 \_\_\_\_\_      0.25 \_\_\_\_\_      1.83 \_\_\_\_\_      0.91 \_\_\_\_\_



5.90 \_\_\_\_\_      5.34 \_\_\_\_\_      6.43 \_\_\_\_\_      5.55 \_\_\_\_\_

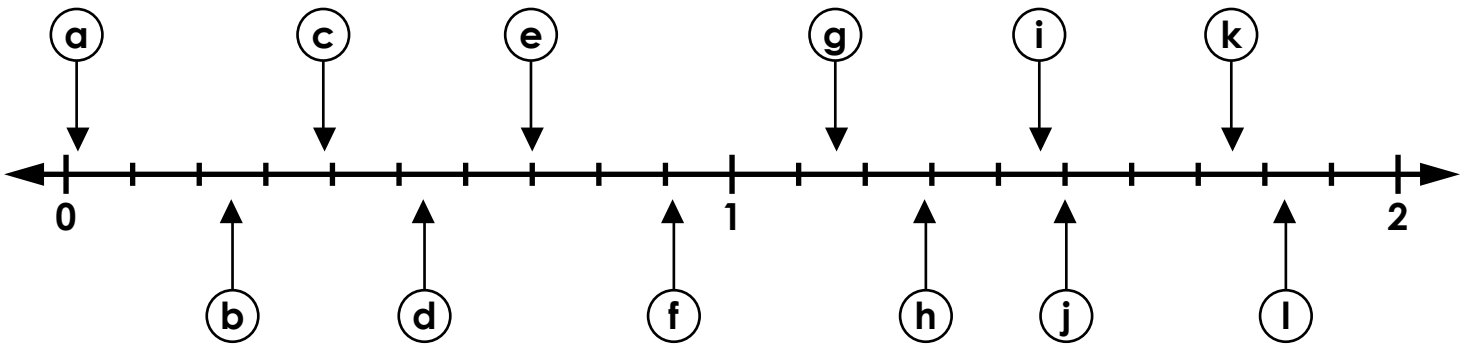
6.67 \_\_\_\_\_      6.08 \_\_\_\_\_      5.01 \_\_\_\_\_      7.00 \_\_\_\_\_

5.17 \_\_\_\_\_      6.83 \_\_\_\_\_      5.69 \_\_\_\_\_      6.24 \_\_\_\_\_

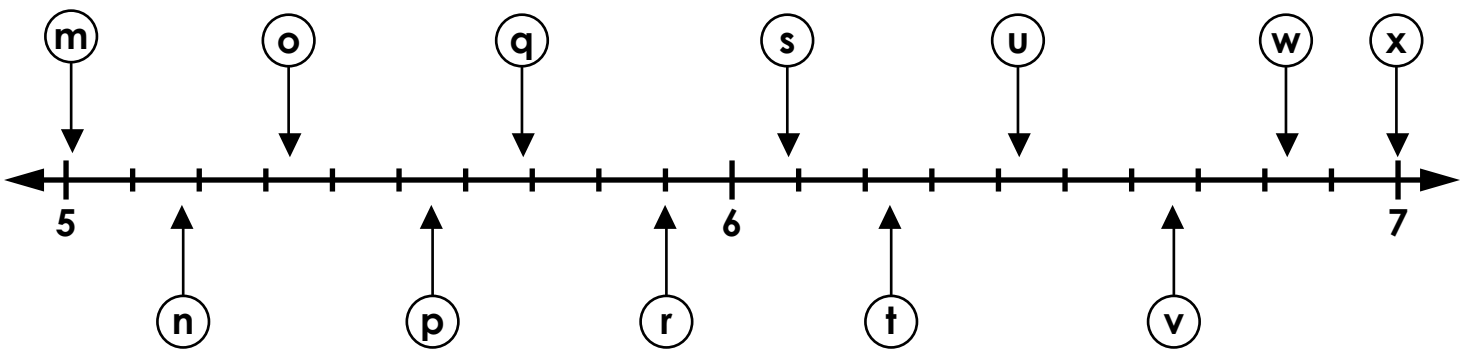
# ANSWER KEY

## Decimal Number Line

Write the correct letter on the blank line next to each decimal.



0.38	<u>  c  </u>	1.16	<u>  g  </u>	1.75	<u>  k  </u>	0.54	<u>  d  </u>
0.70	<u>  e  </u>	1.47	<u>  i  </u>	0.02	<u>  a  </u>	1.50	<u>  j  </u>
1.29	<u>  h  </u>	0.25	<u>  b  </u>	1.83	<u>  l  </u>	0.91	<u>  f  </u>



5.90	<u>  r  </u>	5.34	<u>  o  </u>	6.43	<u>  u  </u>	5.55	<u>  p  </u>
6.67	<u>  v  </u>	6.08	<u>  s  </u>	5.01	<u>  m  </u>	7.00	<u>  x  </u>
5.17	<u>  n  </u>	6.83	<u>  w  </u>	5.69	<u>  q  </u>	6.24	<u>  t  </u>